



Sage International, Ltd.

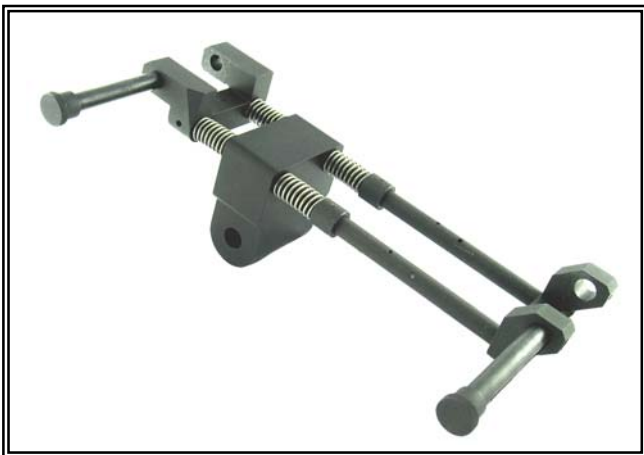
7.62mm NATO Capable Soft Mount



M14 Enhanced Battle Rifle attached to a Sage 7.62mm NATO Soft Mount utilizing a Sage Rail Grabber and Adaptor Plate mounted on a M2 Tripod and Pintle

Soft Mount System Components:

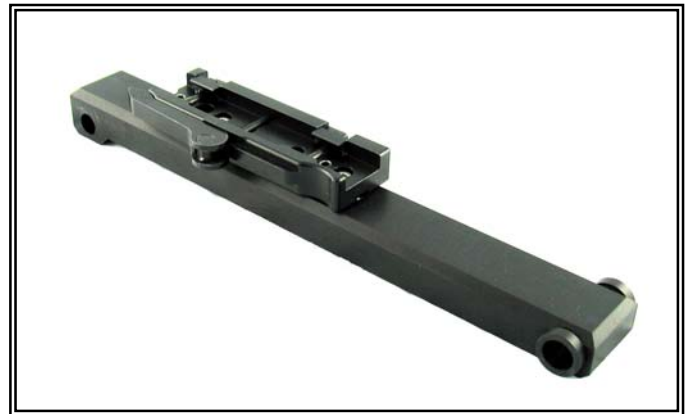
Soft Mount Assembly



- Rugged Construction
- All steel weapon interface and pins
- Fully equilibrated for low felt recoil and drastic reduction in muzzle rise
- Accepts M249 & M240 machine guns
- Hard anodized intermediate mounting base

Adaptor Plate & Rail Grabber

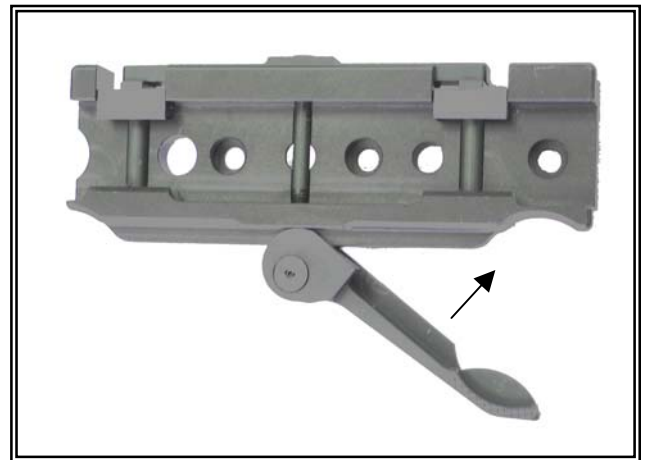
- Aluminum adaptor plate with special mounting hole bushings assures lasting system accuracy
- Rail Grabber quickly attaches to 1913 Picatinny Rails using quick disconnect throw lever
- Rail Grabber is adjustable for attaching tension and rail wear



Adaptor Bar with Rail Grabber attached



Adaptor Bar with Rail Grabber attached installed in Soft Mount Assembly. Accepts FN MK48 and Sage EBR



Rail Grabber with throw lever release partially open.

Pintle with Mounting Bolt



- Heat treated steel construction
- Manufactured to Mil-Spec, Part Number: 5559332
- Compatible with M2 and M3 tripod mounts

Sage International, Ltd.

3391 East Eberhardt Street
Oscoda, MI 48750
United States of America

Telephone: 989-739-7000 Fax: 989-739-7098 E-mail: sales@sageinternationaltd.com
www.sageinternationaltd.com