

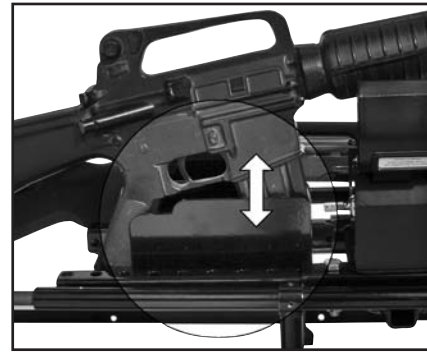


Sage International, Ltd.

## **GR 2000 Series** **Double Wide, Muzzle-Down** **Adjustable Vehicle Gun Rack**

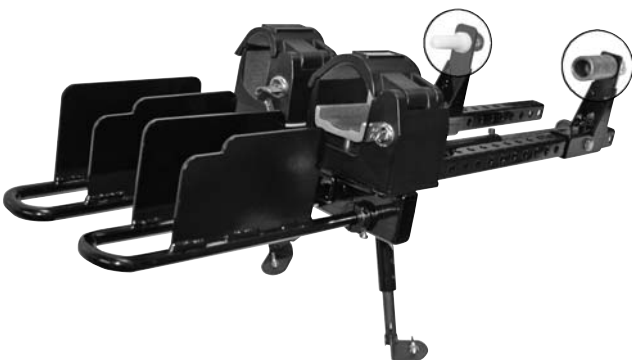
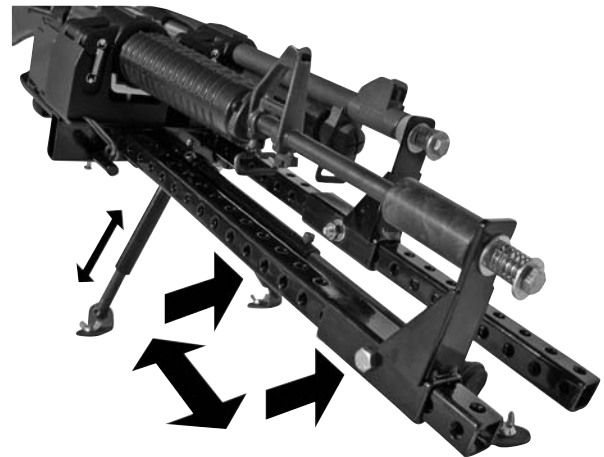


- Secures virtually all barrel length shotguns, AR15/M16 Rifles & SMG's.
- All steel construction.
- Accepts AR15/M16 rifle and shotgun, two shotguns or two AR15/M16 rifles.
- Rust resistant powder coat finish.
- Lock movement and adjustment is made using a simple thru bolt and locking nut.
- Special heavy-duty trigger guard completely covers the entire weapon's trigger and action.
- Fully articulating leg assemblies enabling simple installation.
- Rugged construction allows transfer from existing vehicles to newly acquired vehicles.
- AR15/M16 rifles can be secured with magazines in the rifle.



- AR15/M16 rifles equipped with most popular light and laser systems are compatible with the Sage GR 2000 Series Double Wide, Muzzle-Down Adjustable Vehicle Gun Rack and the appropriate Santa Cruz locking mechanism.
- Trigger guard covers the entire weapon's trigger and action and is adjustable for virtually any weapon configuration.
- AR15 /M16 rifles can be secured with the magazine in the rifle.

- Secures virtually all barrel length shotguns, AR15/M16 rifles and SMG's.
- Barrel length is adjusted in 1" increments using a simple thru bolt and locking nut.
- Shotguns muzzles are protected by Sage's "Flex Barrel Pin" and rifle flash hiders and muzzles are protected by Sage's "Flex Flash Hider Cup" while still allowing bind free insertion or removal of the shotgun or the rifle in the rack without barrel or flash hider damage.



- Santa Cruz locks, which are in service with the department, can be used if they fit the weapon application.
- Santa Cruz locks are available at additional cost with key, electric, and key/electric activation.
- AR15/M16 rifles must have new style round forend to be compatible with lock assemblies.
- All steel adjustable leg assemblies articulate to make mounting a simple task.



Sage International, Ltd.

3391 East Eberhardt Street • Oscoda, Michigan 48750

United States of America

Telephone: **989-739-7000**

e-mail: [sales@sageinternationallltd.com](mailto:sales@sageinternationallltd.com)

Fax: **989-739-7098**